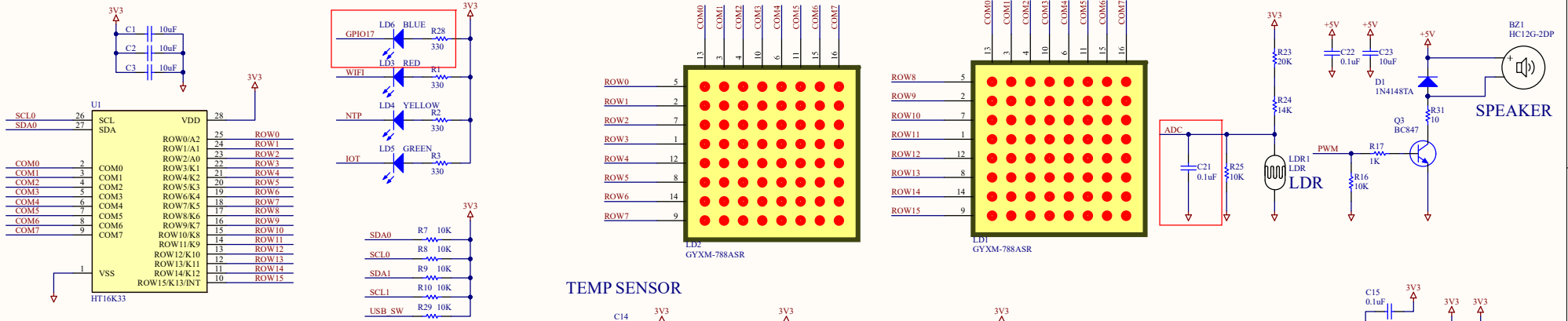
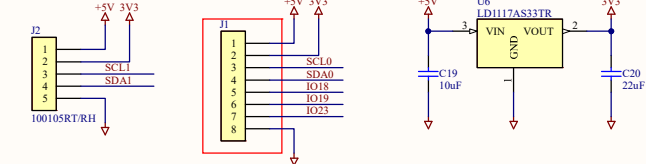


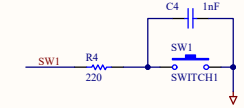
KIDBRIGHT32



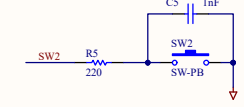
KidBright Chain



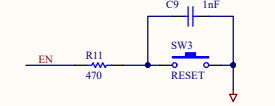
SWITCH1



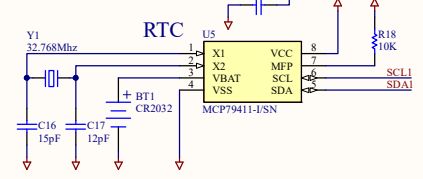
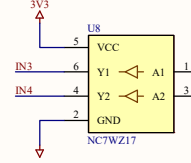
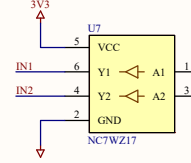
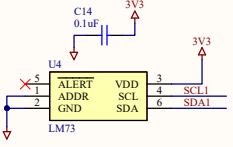
SWITCH2



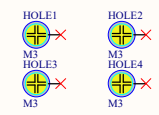
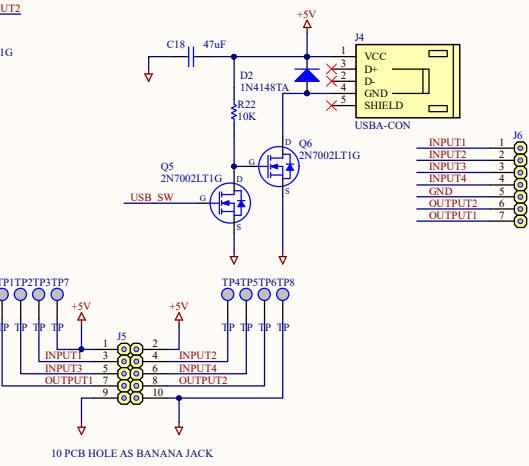
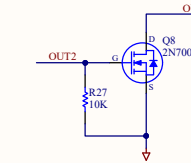
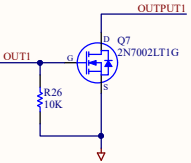
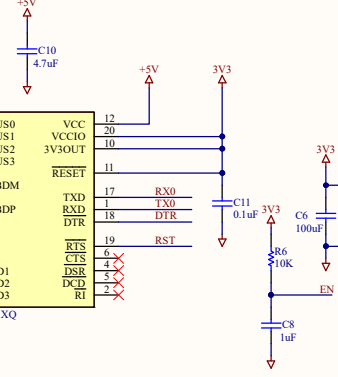
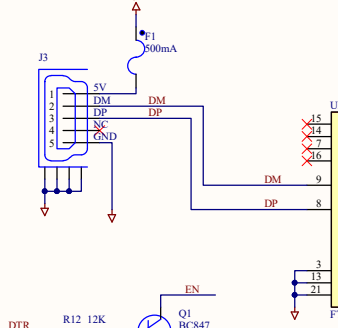
RESET SWITCH



TEMP SENSOR



USB UART BRIDGE (PROGRAM)



TITLE	NAME	DATE	DRAWING NO.	SHEET
SCH-KIDBRIGHT32	vichien	22/10/2018		1 OF 1
DESCRIPTION	CHECKED:	FILE NAME:	PART NO:	REV: V 1.3
	APPROVED:	UNITS:		SCALE:
				SIZE: